

# Line pressure regulator PR5 / VA



Gauge optional

## Description:

The pressure regulator PR5/VA is a single stage line pressure regulator in Stainless steel. In the standard configuration the regulator is fitted with a stainless steel diaphragm. The regulator can also be fitted with an optional outlet gauge.

## Application area:

The PR5 in Stainless steel is suited for the use with corrosive and technical gases and liquids.

We urgently recommend the connection of a fine filter, with at least 40 $\mu$ , before the pressure regulator, as well as to protect following components with suitable relief valves against unduly high pressures.

## Technical details:

|                      |                                      |
|----------------------|--------------------------------------|
| Housing:             | st. steel 1.4404<br>electro polished |
| Gasket:              | viton                                |
| Diaphragm:           | 1.4435                               |
| Max. Inlet pressure: | 35 bar                               |
| Regulating area:     | 0,1 - 30 bar                         |
| Operating temp.:     | -20°C bis +70°C                      |
| Size (WxHxD):        |                                      |
| Configuration 1.     | 130 x 145 x 140                      |
| Configuration 2.     | 130 x 226 x 70                       |
| Weight:              | 1350g                                |
| Connections:         | G1/4 f – G3/4 f<br>DIN EN 560        |

## Hornung Quality standard

The company Hornung is certified to

**DIN EN ISO 9001 and ISO 14001:2009.**

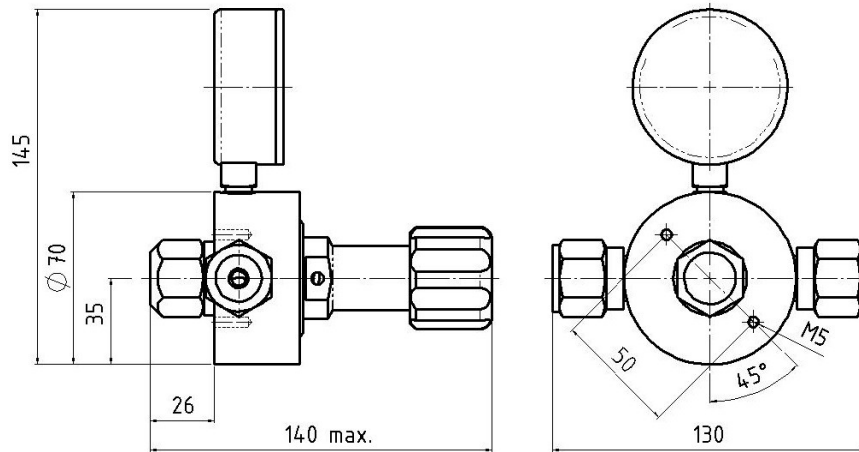
All single parts are manufactured, assembled and tested in house.

The finished parts are therefore under the criteria of our exact quality control with 100% final control.

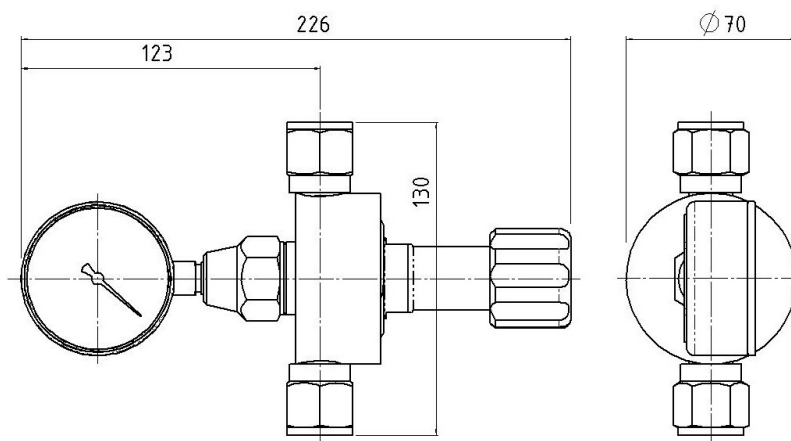
Hornung GmbH  
Rathenaustraße 55, 63263 Neu-Isenburg

Phone: +49 6102 7883-70  
Fax: +49 6102 7883-40

www.hornung.org  
info@hornung.org

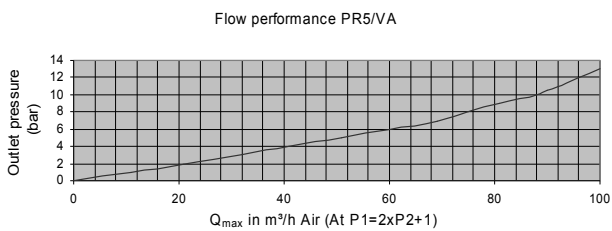


**Configuration 1**



**Configuration 2**

**Flow performance PR5/VA**



**Accessories:**

See total catalogue segment

- 7. Gauges, Tube fittings, accessories. (pure gas)
- 8. Safety valve available on request. Fine filter F2

**Order details:**

**Configuration:**

- 1 = horizontal
- 2 = vertical

**Gauge:**

- 1 = without gauge
- 2 = with gauge

**Pressure area:**

- 1 = 0,1 - 1 bar
- 2 = 0,1 - 2,5 bar
- 3 = 1 - 6 bar
- 4 = 1 - 10 bar
- 5 = 1 - 16 bar
- 6 = 1 - 30 bar

**Option for inlet and outlet:**

- 1 = G1/4" f
- 2 = G3/4" f

**Order example:**

|  |   |   |   |   |     |
|--|---|---|---|---|-----|
| 35-                                    | 1 | 2 | 2 | 1 | Gas |
| Type Config. Gauge. Pressure. Opt. Gas |   |   |   |   |     |